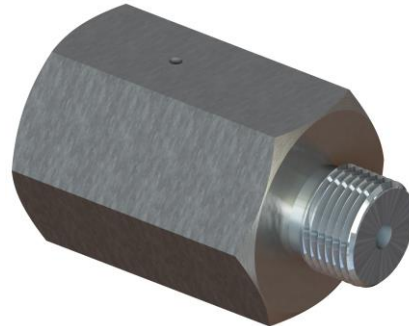
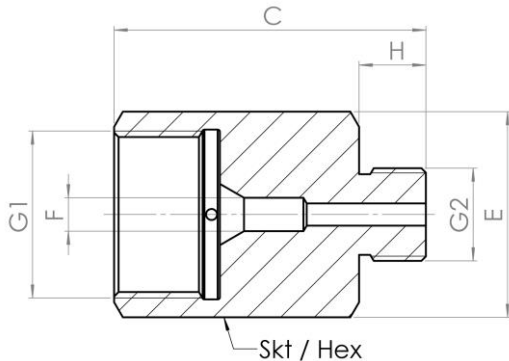
	Datenblatt / Data Sheet	Seite 1 von 2
	Hochdruck – Fitting	DB 2.441
	High Pressure - Fitting	Revision 1.0
Übergang / Connection BSP Male		




Übergang , M16 x 1,5 / 9/16"-18 UNF, HD-Rohr 6mm / 6,35mm (1/4")
 Connection , M16 x 1,5 / 9/16"-18 UNF, HD-Tube 6mm / 6,35mm (1/4")

Bezeichnung Typ	Abmessungen (mm) Dimensions (mm)									Betriebsdruck Working Pressure (bar)
	A	B	C	D	E	F	G1	G2	H	
211/295-016 231/295-016			45		SW22	2,2	M16 x 1,5 9/16"-18 UNF	G 1/4"	12	1600
211/296-010 231/296-010			45		SW22	2,2	M16 x 1,5 9/16"-18 UNF	G 3/8"	12	1000
211/297-007 231/297-007			45		SW22	2,2	M16 x 1,5 9/16"-18 UNF	G 1/2"	14	700

Übergang , M20 x 1,5 / 3/4"-16 UNF, HD-Rohr 10mm / 9,52mm (3/8")
 Connection , M20 x 1,5 / 3/4"-16 UNF, HD-Tube 10mm / 9,52mm (3/8")

Bezeichnung Typ	Abmessungen (mm) Dimensions (mm)									Betriebsdruck Working Pressure (bar)
	A	B	C	D	E	F	G1	G2	H	
212/295-016 232/295-016			50		SW27	5,0	M20 x 1,5 3/4"-16 UNF	G 1/4"	12	1600
212/296-010 232/296-010			50		SW27	5,0	M20 x 1,5 3/4"-16 UNF	G 3/8"	12	1000
212/297-007 232/296-007			50		SW27	5,0	M20 x 1,5 3/4"-16 UNF	G 1/2"	14	700

	Datenblatt/ Data Sheet	Seite 2 von 2
	Hochdruck – Fitting	DB 2.441
	High Pressure - Fitting	Revision 1.0
Übergang / Connection BSP Male		

Übergang , M30 x 2,0 / 1-1/8"-12 UNF, HD-Rohr 14mm / 14,3mm (9/16")
Connection , M30 x 2,0 / 1-1/8"-12 UNF, HD-Tube 14mm / 14,3mm (9/16")

Bezeichnung Typ	Abmessungen (mm) Dimensions (mm)									Betriebsdruck Working Pressure (bar)
	A	B	C	D	E	F	G1	G2	H	
213/295-016 233/295-016			56		SW36	5,0	M30 x 2,0 1-1/8"-12 UNF	G 1/4"	12	1600
213/296-010 233/296-010			56		SW36	6,0	M30 x 2,0 1-1/8"-12 UNF	G 3/8"	12	1000
213/297-007 233/297-007			56		SW36	8,0	M30 x 2,0 1-1/8"-12 UNF	G 1/2"	14	700