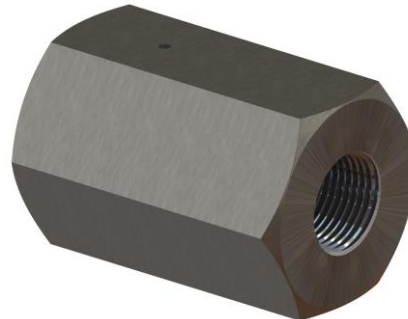
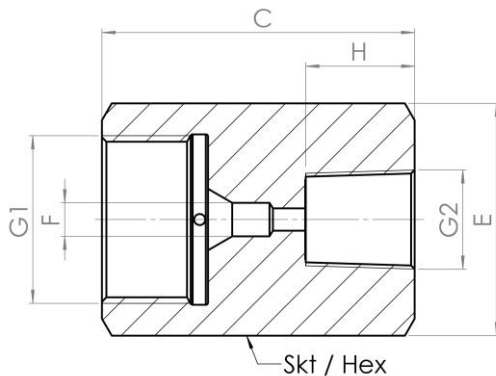
	Datenblatt / Data Sheet	Seite 1 von 2
	Hochdruck – Fitting	DB 2.412
	High Pressure - Fitting	Revision 1.0
<b>Übergang / Connection NPT Female</b>		




Übergang , M16 x 1,5 / 9/16"-18 UNF, HD-Rohr 6mm / 6,35mm (1/4")  
 Connection , M16 x 1,5 / 9/16"-18 UNF, HD-Tube 6mm / 6,35mm (1/4")

Bezeichnung Typ	Abmessungen (mm) Dimensions (mm)									Betriebsdruck Working Pressure (bar)
	A	B	C	D	E	F	G1	G2	H	
211/275-016 231/275-016			45		SW22	2,2	M16 x 1,5 9/16"-18 UNF	NPT 1/4"	16,4	1600
211/276-010 231/276-010			45		SW22	2,2	M16 x 1,5 9/16"-18 UNF	NPT 3/8"	19,5	1000
211/277-007 231/277-007			45		SW22	2,2	M16 x 1,5 9/16"-18 UNF	NPT 1/2"	22,6	700

Übergang , M20 x 1,5 / 3/4"-16 UNF, HD-Rohr 10mm / 9,52mm (3/8")  
 Connection , M20 x 1,5 / 3/4"-16 UNF, HD-Tube 10mm / 9,52mm (3/8")

Bezeichnung Typ	Abmessungen (mm) Dimensions (mm)									Betriebsdruck Working Pressure (bar)
	A	B	C	D	E	F	G1	G2	H	
212/275-016 232/275-016			50		SW27	5,0	M20 x 1,5 3/4"-16 UNF	NPT 1/4"	16,4	1600
212/276-010 232/276-010			50		SW27	5,0	M20 x 1,5 3/4"-16 UNF	NPT 3/8"	19,5	1000
212/277-007 232/277-007			50		SW27	5,0	M20 x 1,5 3/4"-16 UNF	NPT 1/2"	22,6	700

	Datenblatt/ Data Sheet	Seite 2 von 2
	Hochdruck – Fitting	DB 2.412
	High Pressure - Fitting	Revision 1.0
<b>Übergang / Connection NPT Female</b>		

Übergang , M30 x 2,0 / 1-1/8"-12 UNF, HD-Rohr 14mm / 14,3mm (9/16")  
Connection , M30 x 2,0 / 1-1/8"-12 UNF, HD-Tube 14mm / 14,3mm (9/16")

Bezeichnung Typ	Abmessungen (mm) Dimensions (mm)									Betriebsdruck Working Pressure (bar)
	A	B	C	D	E	F	G1	G2	H	
213/275-016 233/275-016			56		SW36	5,0	M30 x 2,0 1-1/8"-12 UNF	NPT 1/4"	16,4	1600
213/276-010 233/276-010			56		SW36	6,0	M30 x 2,0 1-1/8"-12 UNF	NPT 1/2"	19,5	1000
213/277-007 233/277-007			56		SW36	8,0	M30 x 2,0 1-1/8"-12 UNF	NPT 1/2"	22,6	700